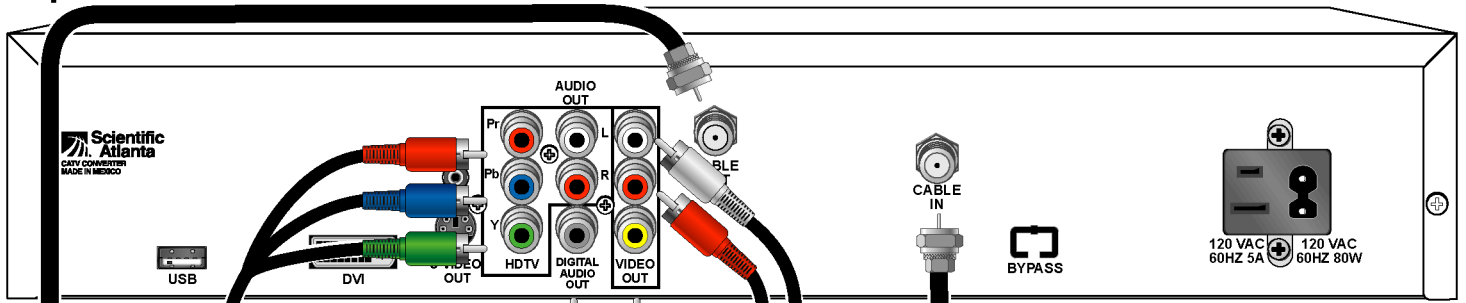


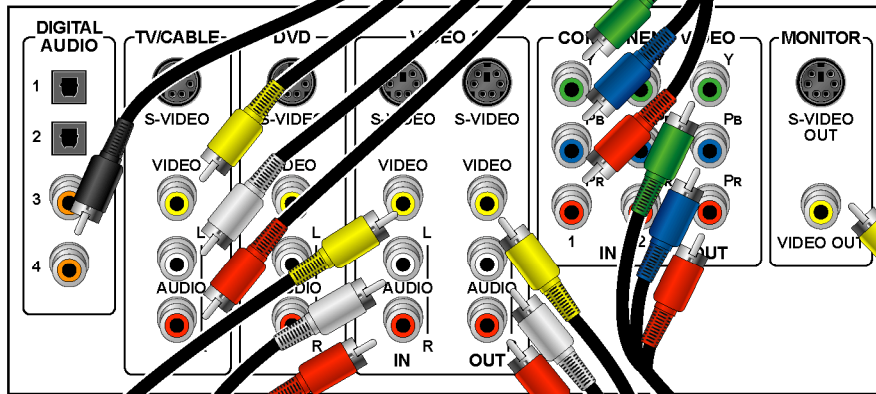
Connecting the Explorer® 4200HD™ to a Home Theater System with HDTV

Explorer 4200HD



Cable Input

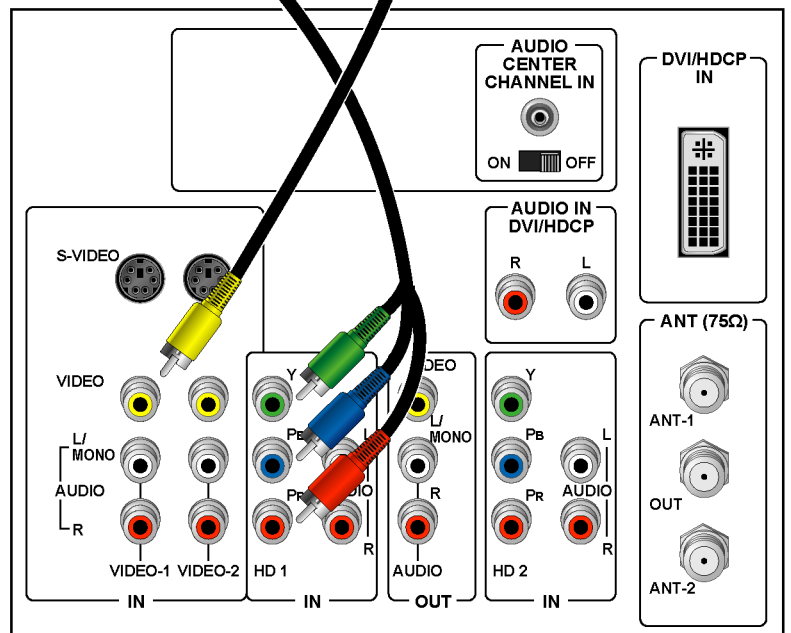
Back of Home Theater Receiver



Please refer to your Home Theater Receiver's owner's manual for more detailed information.

Note: To watch TV without the Home Theater on requires a cable connection from the set-top terminal's Audio Out to the TV's Audio In.

Back of HDTV



Back of Stereo VCR

