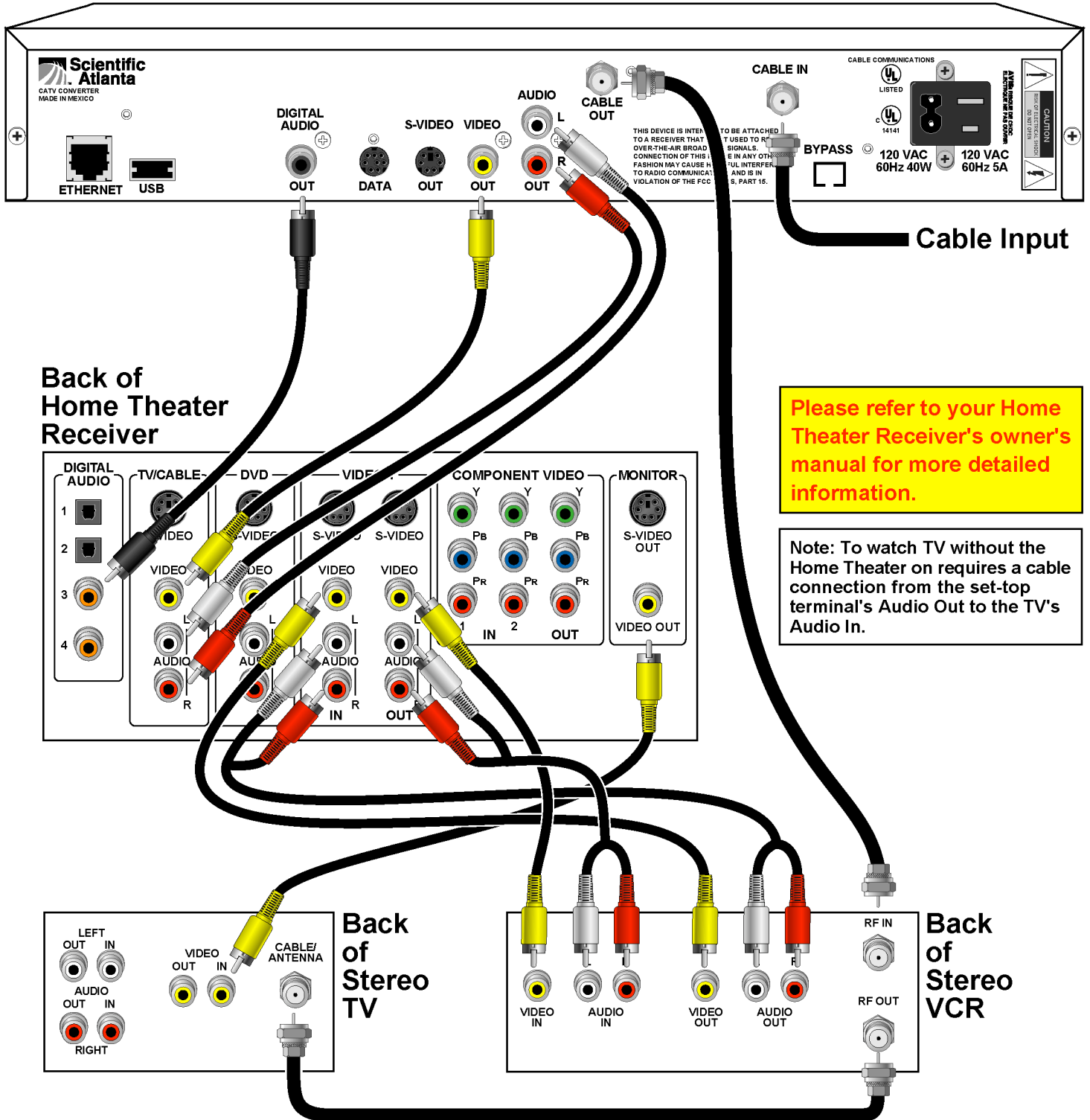


Connecting the Explorer® 2000™ /3000™ to a Stereo TV, Stereo VCR and Home Theater System

Explorer 2000/3000



Please refer to your Home Theater Receiver's owner's manual for more detailed information.

Note: To watch TV without the Home Theater on requires a cable connection from the set-top terminal's Audio Out to the TV's Audio In.